

ARF-AS1-3D-FS 3D Choke-Ring All-Band GNSS Antenna

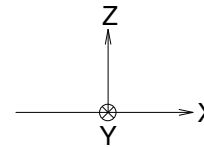
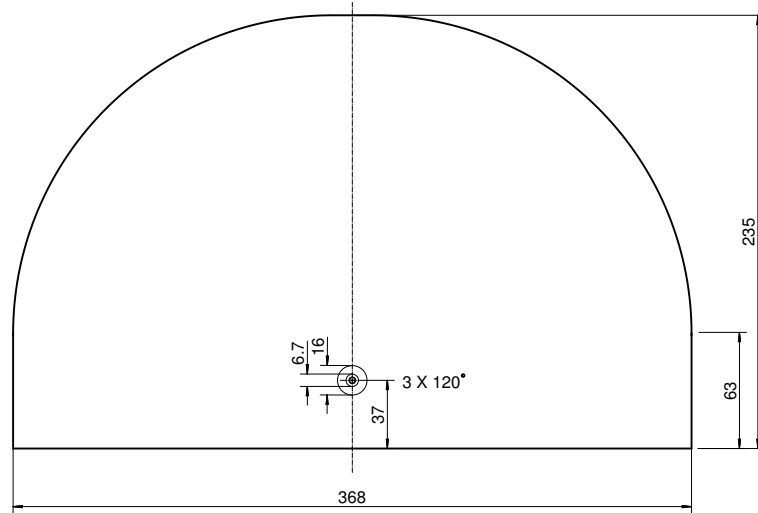
Geo++ Absolute Calibration: 09/2018

IGS Naming: ARFAS13DFS ARFS

Phase Center: N E U

REVISIONS

REV.	DESCRIPTION	DATE	APPROVED
1	PROTOTYPE	04/2017	DX
A	RELEASE TO PRODUCTION	12/2018	HMS



Application:

Base Station application.

Antenna Specifications:

Frequency: 1166-1300MHz, 1525-1610MHz for:

OmniStar L band

GPS: L1 C/A, L2E, L2C, L5

Glonass: L1 C/A, L1P, L2 C/A, L2P, L3

Beidou: B1, B2, B3

SBAS: L1 C/A, L5 and QZSS L1, L2, L5, LEX.

Galileo: E1, E2, E4, E5a, E5b, E6

Polarization: RHCP

Axial Ratio: 1dB Typ. 3dB max.

LNA:

Gain: 40dB TYP.

Noise Figure: <2.0dB

Port VSWR: < 2.0 :1

Voltage: 3.0-6.0V DC, 5V Norm.

Current Draw: <65mA

ESD: 8KV

Environment:

Operating Temperature: -40 - +85 °C

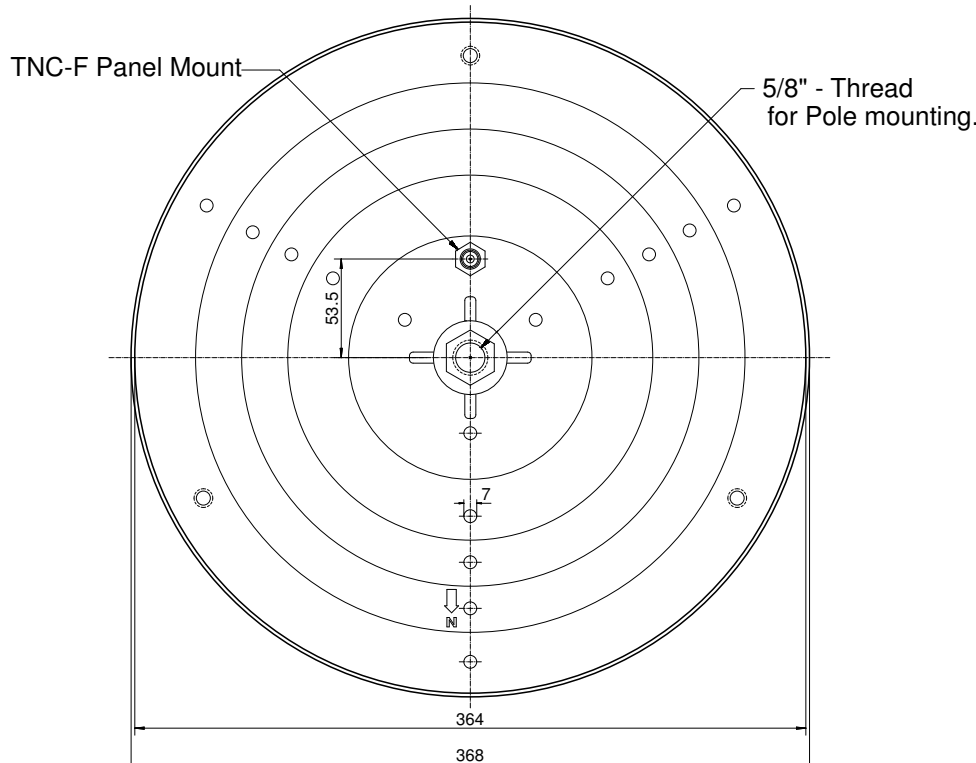
Storage Temperature: -40 - +85 °C

Humidity: 100%

IP-67 for internal Antenna Element

Radome: ABS UV Resistant Paint (White Color)

Weight: 6.3kg (13.6 lb.)



FOR TOLERANCES NOT SPECIFIED:
 [Xmm +/- 0.5 mm], [X.X mm +/- 0.1 mm]
 [Xmm +/- 0.5 mm], [X.X mm +/- 0.1 mm]
 ANGULAR +/- 1°

DRAWN: BD

APPROVED: HMS

QA:

SIZE: E

SCALE: NONE

Atlanta RFtech LLC

TITLE: ARF-AS1-3D-FS-RevB

Date: 8/20/2020 10:46:29 AM

Document Number: 2017-010-005

UNIT: MM (INCH)