

REVISIONS

REV.	DESCRIPTION	DATE	APPROVED
1			
A			

Choke-Ring All-Band GNSS Antenna

PN # ATRF-CRBSAB8-0

Application:

Base Station application.

Specification:

Frequency: 1166-1280MHz, 1559-1610MHz for:

GPS: L1 C/A, L2E, L2C, L5

Glonass: L1 C/A, L1P, L2 C/A, L2P

Beidou: B1, B2, B3

SBAS: L1 C/A and QZSS L1.

Galileo: E1, E5a, E5b

Polarization: RHCP

Axial Ratio: 1dB Typ. 3dB max.

LNA:

Gain: 40dB

Noise Figure: <2.0dB

Port VSWR: < 2.0 :1

Voltage: 3.0-6.0V DC

Current Draw: <65mA

Spike Voltage withstanding: +/-20 DC

ESD: 8KV

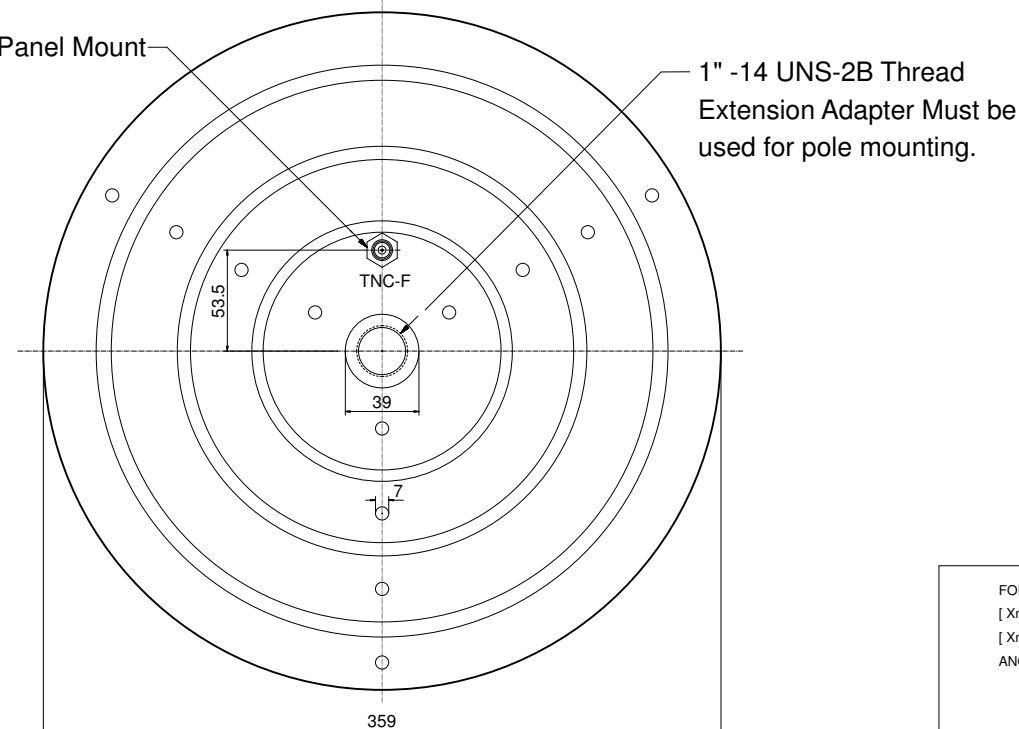
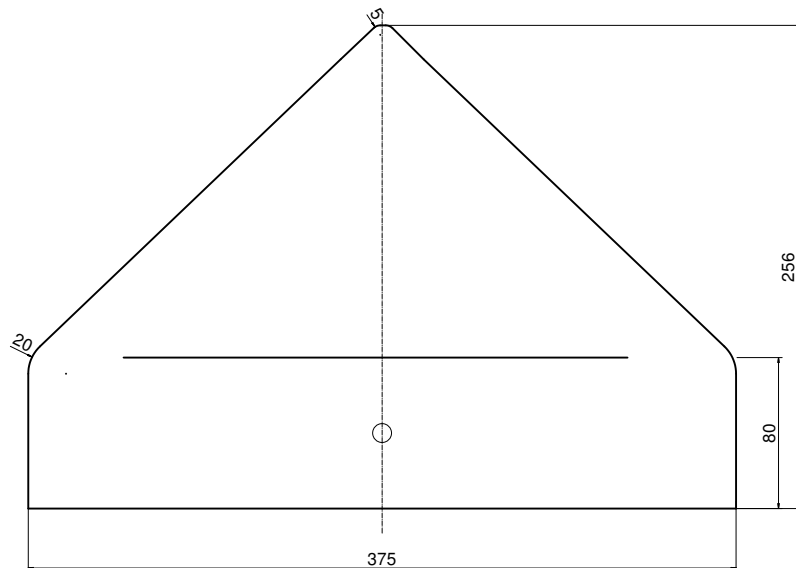
Environment:

Operating Temperature: -40 - +85 °C

Storage Temperature: -40 - +85 °C

Humidity: 100%

IP-67 for internal Antenna Element



FOR TOLERANCES NOT SPECIFIED: [Xmm +/- 0.5 mm], [X.X mm +/- 0.1 mm] [Xmm +/- 0.5 mm], [X.X mm +/- 0.1 mm] ANGULAR +/- 1°	DRAWN: BD	<h2 style="margin: 0;">Atlanta RFtech LLC</h2>	
	APPROVED: HMS		
	QA:		
	SIZE: E		TITLE: DS-ATRF-CRBSAB8-0_Rev1
	SCALE: NONE		Date: 5/1/2016 12:33:29 AM
UNIT: MM (INCH)		Document Number:	