

Embedded All-Band GNSS Antenna

PN # ATRF-OEM-SYA8B-0

Features: Compact size; Quad-feed configuration; Highly-stable phase center. Designed for Precision Survey, Agriculture, RTK etc..

Specification:

Frequency: 1166-1286MHz, 1559-1610MHz for:

GPS: L1 C/A, L2E, L2C, L5

Glonass: L1 C/A, L1P, L2 C/A, L2P

Beidou: B1, B2, B3

SBAS: L1 C/A and QZSS L1.

Galileo: E1, E5a, E5b, E6*

Polarization: RHCP

Axial Ratio: 1dB Typ. 3dB max.

LNA:

Gain: 40dB

Noise Figure: <2.0dB

Port VSWR: < 2.0 :1

Voltage: 3.0-6.0V DC

Current Draw: <65mA

Spike Voltage withstanding: +/-20 DC

ESD: 8KV

Environment:

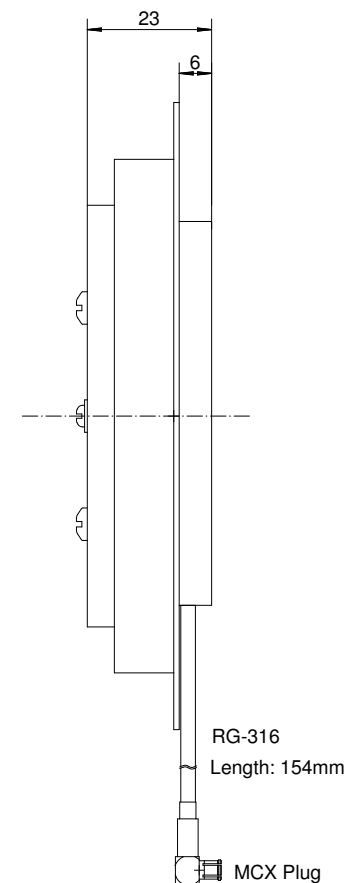
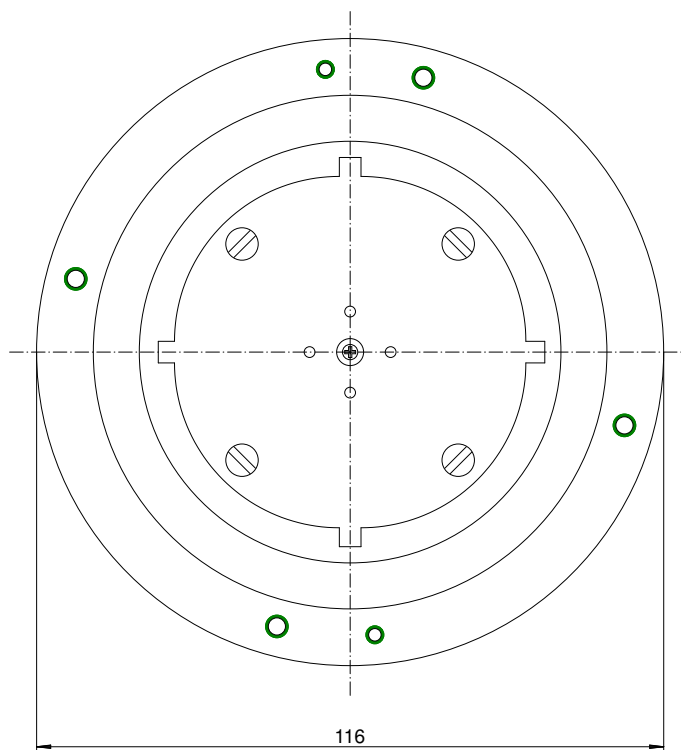
Operating Temperature: -40 - +85 °C

* TBD

PROPRIETARY DATA
THE INFORMATION IN THIS DOCUMENT IS OF A PROPRIETARY NATURE AND MAY NOT BE USED OR REPRODUCED WITHOUT THE CONSENT OF ATLANTA RFTECH LLC., ATLANTA, GA, USA.

REVISIONS

REV.	DESCRIPTION	DATE	APPROVED
1	PROTOTYPE		
A	RELEASED TO PRODUCTION		



FOR TOLERANCES NOT SPECIFIED:
[Xmm +/- 0.5mm], [X.X mm +/- 0.1mm]
[X.XX mm +/- 0.1mm]
ANGULAR +/- 1°

UNIT: mm (inch)

DRAWN: BD
APPROVED: HMS
QA:
SIZE: A3
SCALE: NONE

Atlanta RFtech LLC

DS-ATRF-OEM-SYA8B-0_Rev1

5/1/2016 12:40:10 AM

Sheet: