

Permanent Mount GNSS Antenna

PN # ATRF-LG12AG

Application: Precision Agriculture, Survey, RTK etc..

Specification:

Frequency: 1217-1260MHz, 1565-1608MHz for services:

GPS: L1 C/A, L2E, L2C,

Glonass: L1 C/A, L1P, L2 C/A, L2P

SBAS: L1 C/A; Galileo: E1; Beidou: B1 and QZSS L1.

Polarization: RHCP

Axial Ratio: 2dB Typ. 3dB max.

LNA:

Gain: 35dB

Noise Figure: <1.8dB (with Pre-selector)

Port VSWR: <1.5:1

Voltage: 3.0-9.0V DC

Current Draw: <50mA

Spike Voltage withstanding: +/-30 DC

ESD: 15KV

Environment:

Operating Temperature: -40 - +85 ° C

IP-67 Compliance

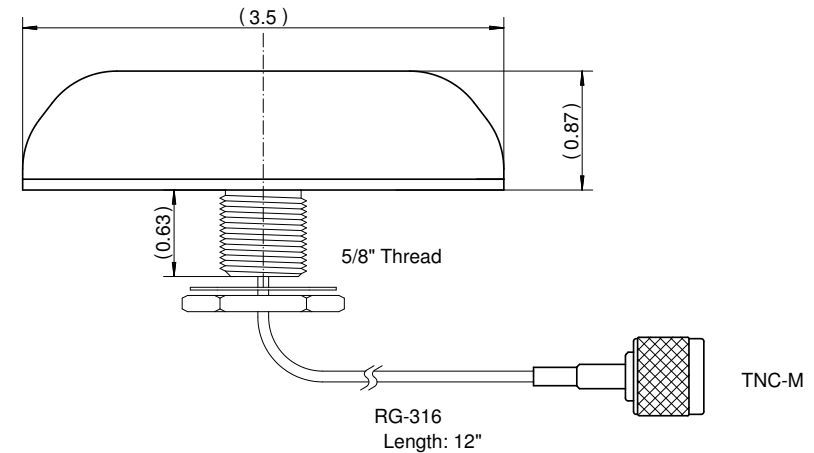
Humidity: 100%

UV Stable Radome

Designed to meet MIL-STD-810

REVISIONS

REV.	DESCRIPTION	DATE	APPROVED
1	PROTOTYPE		
A	RELEASED TO PRODUCTION		



FOR TOLERANCES NOT SPECIFIED:
 [Xmm +/- 0.5mm], [X.X mm +/- 0.1mm]
 [X.XX mm +/- 0.1mm]
 ANGULAR +/- 1°

UNIT: mm (inch)

DRAWN: DX
 APPROVED: HMS
 QA:
 SIZE: A3
 SCALE: NONE

Atlanta RFtech LLC

DS-ATRF-LG12AG_Rev1

5/1/2016 2:53:17 PM

Sheet: